

# Operators manual

## CIELLO

Office swivel chair for  
VDU-workstations  
and desk-workstations



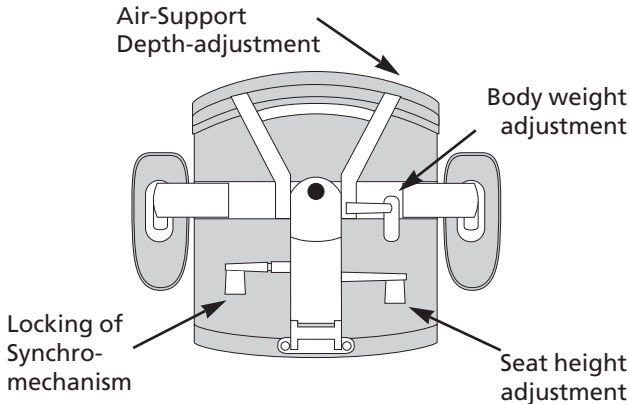
**KLÖBER**

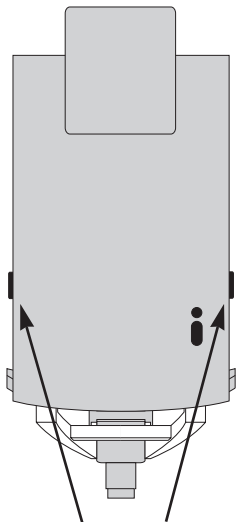


# CIELLO Operating System

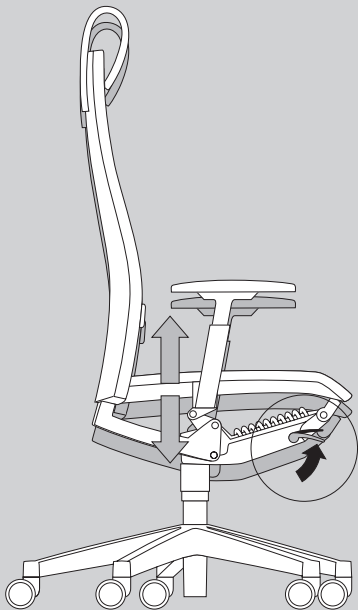
whilst seated left

whilst seated right





„Air-Support“  
height adjustment  
lumbar support

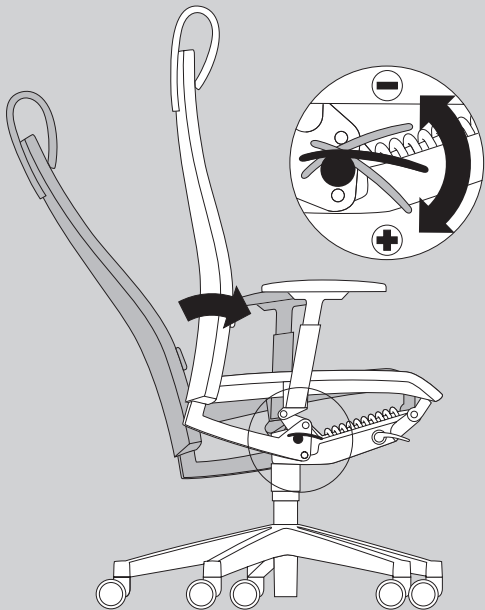


## **Seat height adjustment**

Your chair can be height-adjusted from 40 to 53 cm using a safety gas spring.

Pull the lever under the front right of the seat up and the seat height can be adjusted. Release the lever and the seat height is fixed.

You are sitting correctly when your thigh and calf form an angle of 90°.



## Bodyweight adjustment

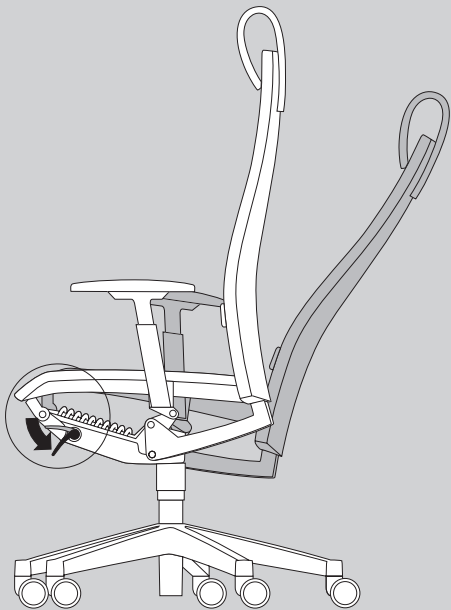
The correct setting of the seat back pressure according to your body weight is very important.

This needs to be set so that your back is well supported in every sitting position, without the backrest being too light or too hard.

Your Ciello has a practical quick-adjustment system for the bodyweight setting. Adjustment is made using the lever in the middle under the right hand side of your seat.

**Attention:** please only use the weight adjustment lever when the backrest is in an upright position!

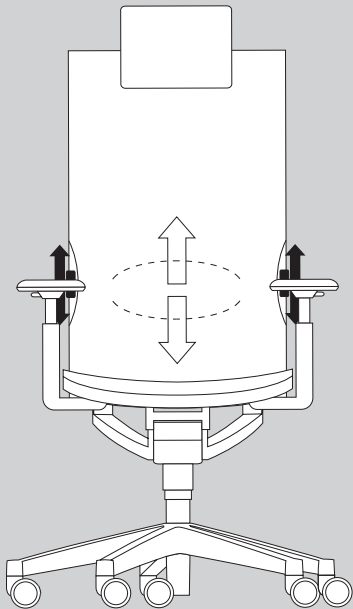
The lever is pulled out and then turned downwards to increase the weight setting and turned upwards to decrease the setting (120 kg – 45 kg).



## Locking of the sitting position

From an ergonomical point of view, it is advantageous to have continuously changing sitting positions whilst working (dynamic seating).

However, if required, you can lock the mechanism in place and thereby temporarily disable the synchro motion. To do this move the lever under the front of the left hand side of the seat downwards – the mechanism is now locked. To release, move the lever back up to its original position. There are three locking positions: forward, middle and rear.



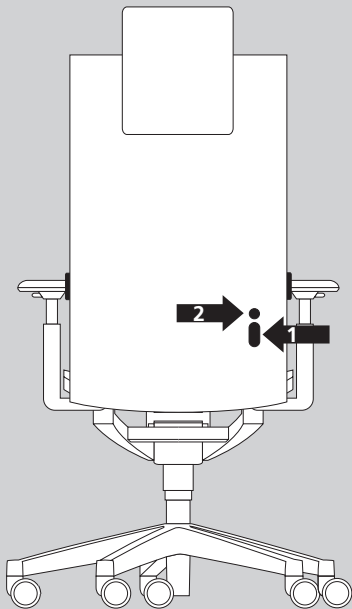
## Height-adjustable lumbar support (optional)

If your Ciello has a so-called „Air-Support“, an inflatable air cushion, integrated into the backrest, which provides adjustable lumbar support, there are two ways to adjust it:

- height adjustment by approx 6 cm
- depth of lumbar support, giving a stronger or weaker support.

For height-adjustment, pull the tabs on the sides of the backrest up and down.

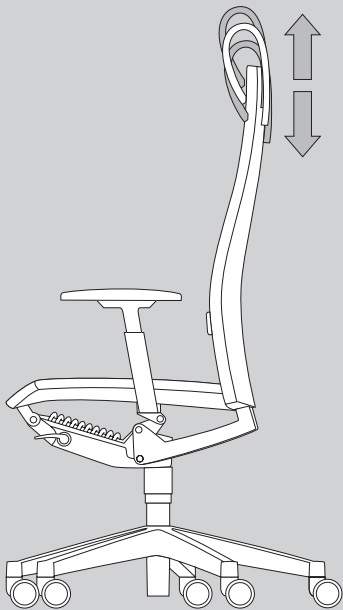
The height should be set so that the support is at the lumbar region of your spine.



## **Adjustable lumbar support (optional)**

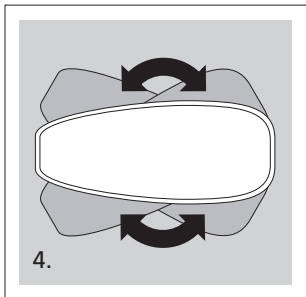
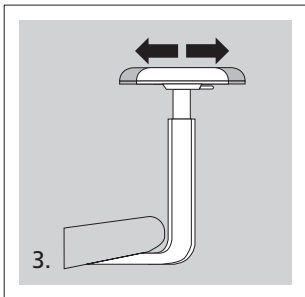
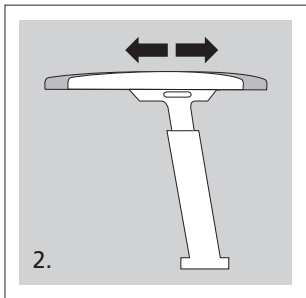
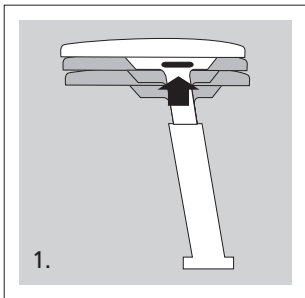
The inflatable air cushion („Air-Support“) allows an alteration of the backrest's shape. Simply squeeze the pump continuously **(1)** until the desired support is achieved.

Air is released by pressing button **(2)** whereby the lumbar support is relaxed.



## **Adjustable headrest (optional)**

This chair has an (optional) adjustable head- and neckrest. To adjust the height there is a ratchet slide mechanism - simply pull the rest up and down.



## 4FD-Arm-Supports

The Arm Supports on your Cielo have several functions:

1. Height adjustment +10 cm. Use the button under the arm surface. Press-adjust height – release. Position is now set.
2. Horizontal adjustment of the arm by 5 cm: Push backwards and forwards on the ratchet slide, until the required position is set.
3. Siedeways adjustment – 2,5 cm inwards and outwards – push the armrest into the required position.
4. Turnable (15° left and right): – turn support to required position.

Please check that the height of both armrests is correctly set, so that the spine, shoulders and arm muscles are effectively relaxed.

## Norms / Certificates

■ The basic data for manufacturing CIELLO chairs are the norms and requirements of current seating technology.

EN 1335

Office swivel chairs  
and armchairs

EN 12529

Castors for swivel chairs

## European guidelines

■ CIELLO swivel chairs conform to European guideline 90/270/EWG (safety regulations for VDU stations).

## Certificate for ergonomoy

■ CIELLO swivel chairs have been verified and certified by LGA Nürnberg:  
„Approved Safety“  
„Certificate for ergonomoy“.

## Maintenance

■ All mechanical and movable parts are maintenance free. Occasional cleaning of the castors to remove carpet fluff is recommended.

## Guarantee

■ You have two years guarantee for this chair. For special versions made to customers' own requirements, the legal guarantee is applicable. For technical information please contact customer service in the factory:  
telephone  
00 49-75 51 / 838-151.

## Castors

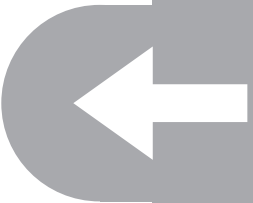
■ Standard version with castors for carpet floors. On request with soft wheels for hard floors. For safety reasons the corresponding

exchange of castors must take place when changing from carpet floor to hard floor and vice versa.

## Important notice !

■ Do not heat or violently open the gas spring! Exchange of gas springs should be made only by qualified personnel.





# Operators manual